



## Water level sensor - EPS

### Hydrostatic water level measurement

#### Short facts:

- Long-term stable hydrostatic measurement principle
- Range 0 - 2.5 m water column (0 - 250 mbar)
- Resistant against dirt
- Maintenance-free
- Ceramic membrane (suitable for fresh and saltwater)

#### **Exact repeatability - also in dirty waters.**

The SENECT EPS water level sensor measures the level of a liquid based on the principle of hydrostatic pressure measurements.

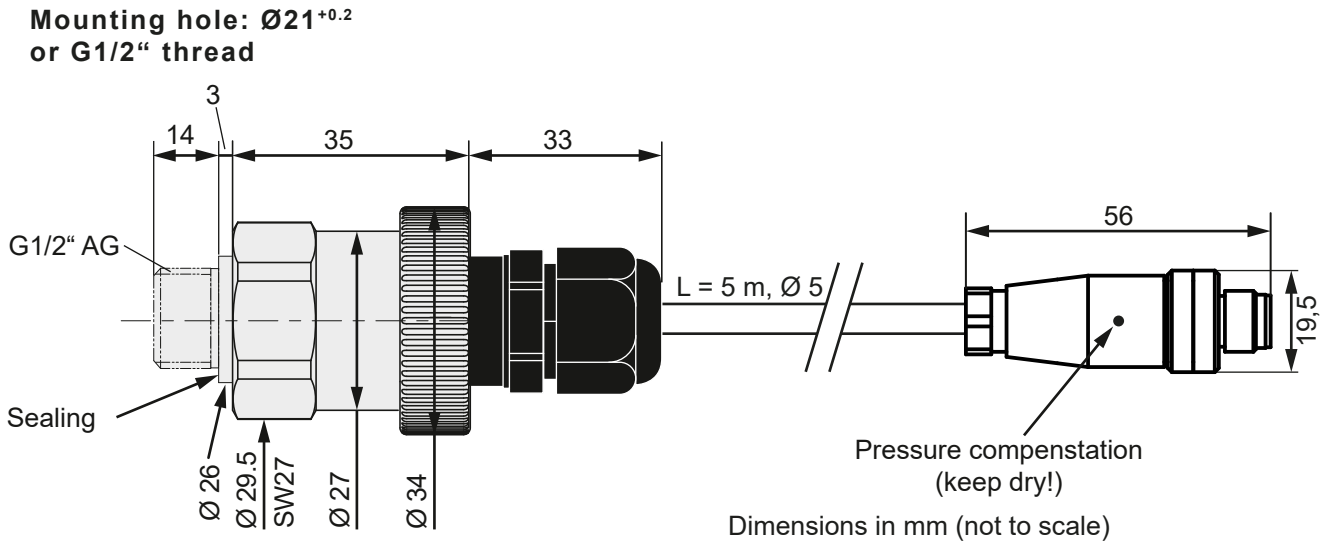
Due to this method, the measurement is virtually not influenced by dirt or biofouling. That's why the EPS sensors are ideal for the use in drum- or belt-filter. There, the EPS sensors recognizes the water level changes induced by the clogging of the filter mesh and gives the signal to the filter control unit, which starts the flushing process.

Beside this application, the SENECT EPS sensors are used for water level measurements in tanks including the refilling. And since the sensor measures the pressure, the SENECT EPS are used for controlling the functioning of aerators, e.g. in aquaculture biofilter aeration and mixing.

Technical information	
Dimensions	Ø 34 mm x 85 mm
Material (medium-side)	Stainless steel 316L, ceramic
Prozess connection	G1/2" outer thread
Range	0 - 250 mbar
Accuracy	< 1% FS
Temperature	0 - 40°C
Power consumption	< 1 W
Cable length	5 m
Compatibility	with all SENECT control units
Protection class	IP54 (outer side)

**Made in Germany.**

EPS 250-MAK-001 EN Version: 2.0 Status: released, subject to alterations



Art.-No.	Item	Scope of delivery
2000	Water level sensor EPS-250-MAK	Water level sensor, 5 m cable, manual
2010	Counter nut	Counter nut (G1/2", stainless steel)
3450	Extension Cable Sensors 5 m	Extension cable for all SENECT sensors, 5 m
3460	Extension Cable Sensors 10 m	Extension cable for all SENECT sensors, 10 m

**Made in Germany.**