



Pressure sensor EDS

Gas- or water pressure measurements

Short facts:

- Precise pressure measurements for monitoring or control applications
- Several measurement ranges available (2.5, 4, 6 bar)
- Maintenance free
- Ideal for monitoring of aeration- or oxygen pipelines in aquaculture

Versatile possibilities with pressure measurements

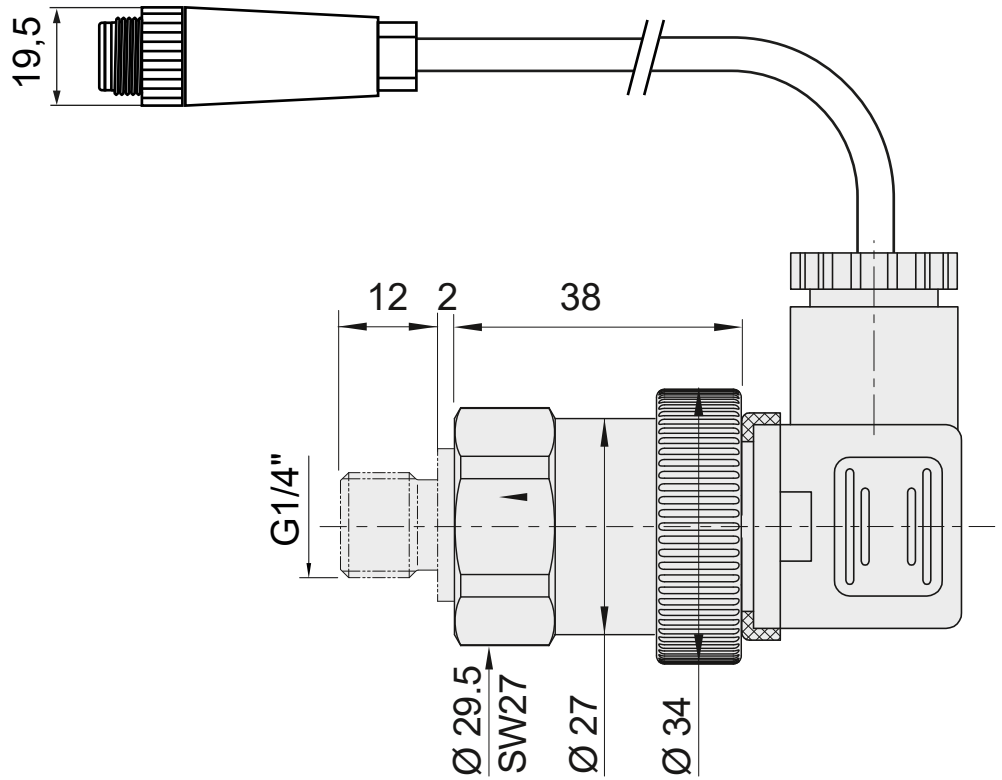
The SENECT pressure sensor EDS uses a piezoresistive membrane sensor principle to measure the pressure of gaseous or liquid media.

This method is characterized by its long-term stability and therefore suitable for the surveillance of pressure in important pipelines, e.g. the aeration pipeline in fish farms. It is also suitable for liquid media like water. Here, it can for example be used to measure the pressure of the spray (flushing) bar of drum filters.

Beside its use in monitoring and alarming, the pressure measurement can also be used to switch or regulate actuators, e.g. compressor-pumps. For all these applications, the SENECT control units offer manifold possibilities to realize optimal controlling mechanisms.

Technical information	
Dimensions	Ø 21-34 x 34 x 80 mm
Material (medium-side)	Stainless steel 1.4542
Process connection	G1/4" outer thread
Measurement range	0 - 2500, 4000, 6000 mbar
Precision	< 0,5% FS
Temperature range	0 - 40°C (medium up to +125°C)
Power consumption	<< 1 W
Cable length	5 m
Compatibility	with all SENECT control units
Ingress protection	IP65 (outer part)

Made in Germany.



Dimensions in mm (not to scale)

EDS-xxxx-MA-001 EN Version: 1.0 Status: released, subject to alterations

Art.-No.	Item	Scope of delivery
2002	Pressure sensor EDS 2,5 bar (EDS-2500-MA)	Pressure sensor with 5 m cable, manual
3450	Extension cable sensors 5 m	Extension cable with 2 plugs, 5 m
3460	Extension cable sensors 10 m	Extension cable with 2 plugs, 10 m

Made in Germany.